

▶ AAS International

Product information

FLAT-Light TGS Series 4 Taxiway & Runway Guidance Sign



Page: 1
Date: 09-2023
Version: 2.5.0

Durability and sustainability as a requirement

We selected **high quality materials and components** to extend the technical life of the product to the maximum. As a result we present the most reliable guidance sign on the market.

The **modular design** allows for flexibility in production and as a consequence leads to less stock. Additionally efficiency in production and lower stock leads to less waste.

Furthermore modular products allow for **flexible supply chain solutions** and local production. Which in turn limits carbon footprint.

The further developed lighting concept ensures **excellent light distribution** and particularly low energy consumption. Best kept secret: 100% light output at 3.8A.

Circularity was one of the design criteria. The sign can be disassembled completely with zero waste as our goal.

Trusted for life

- All About Signs offers 5 year warranty*¹ on the complete sign.
- Extended warranty up to 2½ years after health and compliance check (brightness, color, operational time LED and driver, overall mechanical state).
- Mid-life refurbish/replace program.
- Buy back at end-of-life

*¹ *Terms and conditions apply.*



Product description TGS series 4

The AAS International FLAT-Light TGS s4 is the latest generation of taxiway guidance signs and has unparalleled features thanks to the applied innovations.

The illumination of the signs is based on LED in combination with a light emitting panel with an excellent light distribution. The dual LED string brings contingency to another level.

All is fitted in an anodized aluminum frame, mounted to anodized aluminum poles on anodized aluminum footplates with frangible couplings for mode 2 or mode 3 operations.

The FLAT-Light TGS s4 is highly energy efficient, has an unparalleled IP67-rating and is maintenance free.

The FLAT-Light TGS s4 is a dedicated sign for runways and taxiways. This sign can be used as direction, destination or boundary sign, mandatory instruction sign and runway location sign.

The sign can be connected to any AGL circuit 2,2 to 6,6 A or 230Vac. Three step and five step regulators with dimming or anti dimming as well as thyristor or sine wave regulators. Remote monitoring functionality is provided through a PLC connector or Fail Open circuit triggered by pre determined light output.

Compliance to guidelines

The FLAT-Light TGS is tested and certified by independent institutes in accordance with the following requirements:

- EASA CS-ADR-DSN
- ICAO Annex 14 - Aerodromes Volume I
- FAA advisory Circular 150/5345-44
- EMC Directive
- CE conformity
- IP67 rating



Technical specifications TGS series 4

Power supply

PSU-007 2.2~6.6A	PLC	Fail Open
non-dimming	√	√
3-step dimming	√	√
5-step dimming	√	√
communication	√	
Thyristor CCR	√	√
Sine Wave CCR	√	√

PSU-005

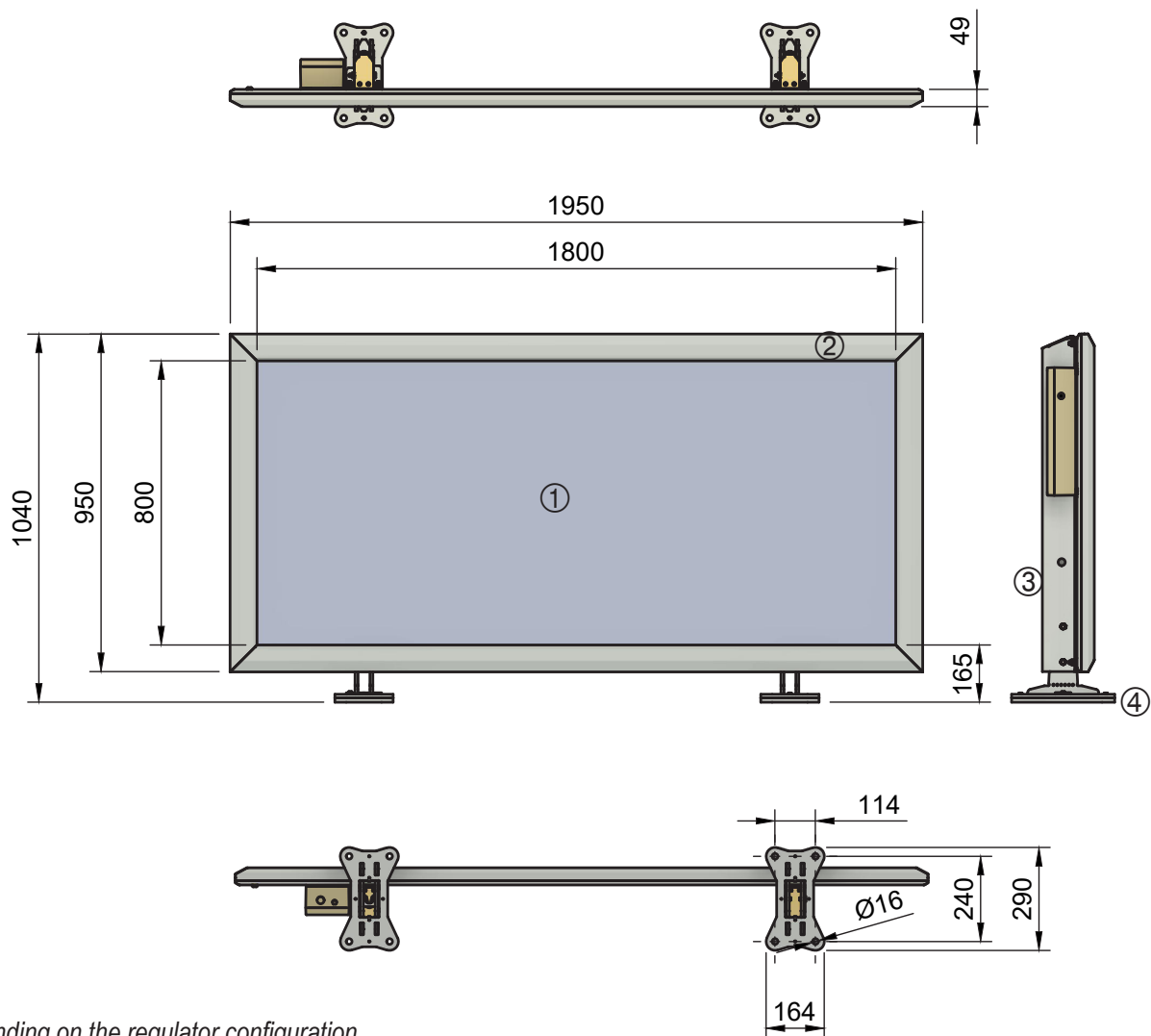
This power supply is for 230Vac mains and cannot be dimmed.

Power consumption^{*2}

Minimal: 15VA, smallest sign, yellow background
 Maximal: 33VA, biggest sign, red background

Model FLAT-Light TGS v4

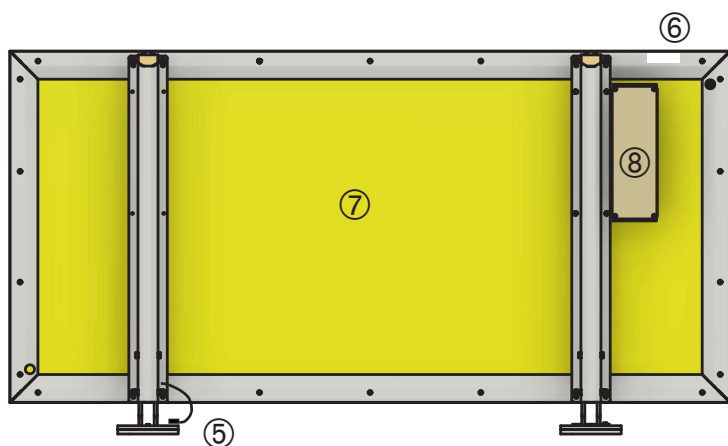
1. Text panel/facia	4 mm Polycarbonate
2. Frame	Anodized aluminum
3. Pole	Anodized aluminum
4. Foot plate	Anodized aluminum
Frangible coupling	Anodized aluminum
5. Safety cable	Stainless steel
6. Identification and information tag	
7. Casing back side	Dibond
8. Terminal box	Aluminum



^{*2} At 6.6A and depending on the regulator configuration.

Dimensions

Facia		Sign dimension		Sign box	Sign incl. pole	Total	Poles
Height (mm)	Length (mm)	Height (mm)	Length (mm)	Thickness (mm)	Thickness (mm)	Height (mm)	Number
600	900	750	1.050	49	135	940	2
600	1.200	750	1.350	49	135	940	2
600	1.500	750	1.650	49	135	940	2
600	1.800	750	1.950	49	135	940	2
600	2.100	750	2.250	49	135	940	3
600	2.400	750	2.550	49	135	940	3
600	2.700	750	2.850	49	135	940	3
600	2.850	750	3.000	49	135	940	3
800	900	950	1.050	49	135	1.040	2
800	1.200	950	1.350	49	135	1.040	2
800	1.500	950	1.650	49	135	1.040	2
800	1.800	950	1.950	49	135	1.040	2
800	2.100	950	2.250	49	135	1.040	3
800	2.400	950	2.550	49	135	1.040	3
800	2.700	950	2.850	49	135	1.040	3
800	2.850	950	3.000	49	135	1.040	3





AAS International BV
The Netherlands
www.aasinternational.nl